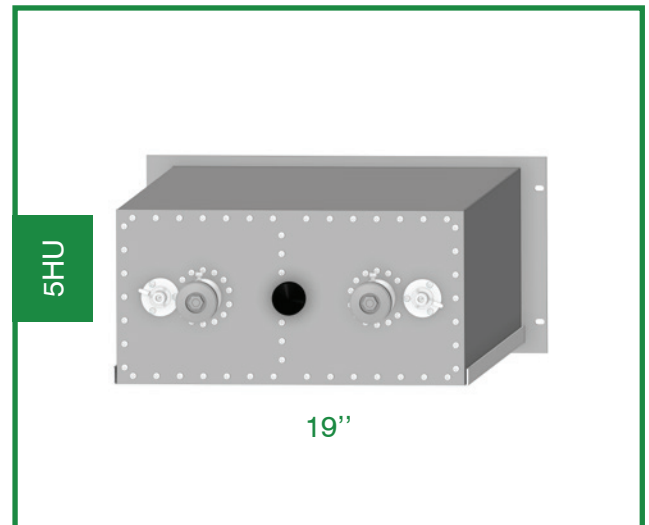


Band Pass Filters VHF

210 cavity window coupled

Double cavity band pass filter in the VHF range can be allocated in one 5 unit 19" cabinet. Frequency tuning and insertion loss can be regulated through rotating loops and mechanical knobs. The window coupling is adjusted through a rotating central knob.



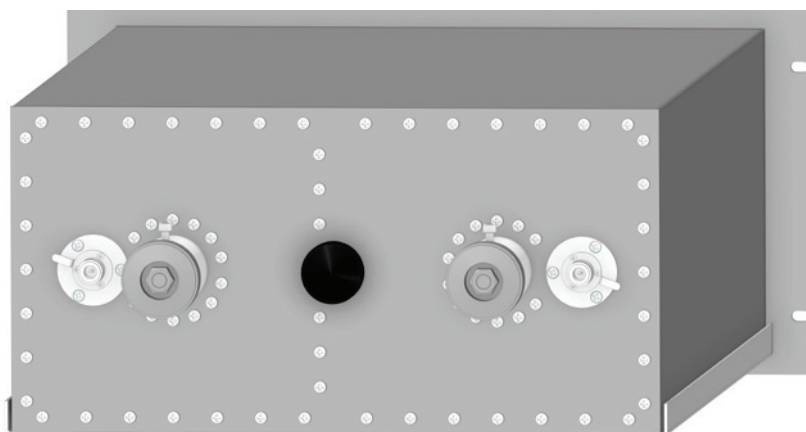
Electrical Specifications

Frequency band:	118 - 156 MHz
Impedance:	50 Ω
Max Power:	200W CW
Insertion loss:	Adjustable window coupling, rotating loops.

Mechanical Specifications

Connector Type:	N Female
Dimensions:	19" rack, 5HU, depth 670 mm
Operating temp.:	-10°C to +55°C
Tuning method:	Rotary knobs, telescopic movement

Band Pass Filters	Channels	Cabinet 5HU	Attenuation
FPB210-V/2 F02VS210M1WDxxxx	1	1	32dB \pm 500 kHz 1dB I.L. at 127.5 MHz



FPB210-V/2