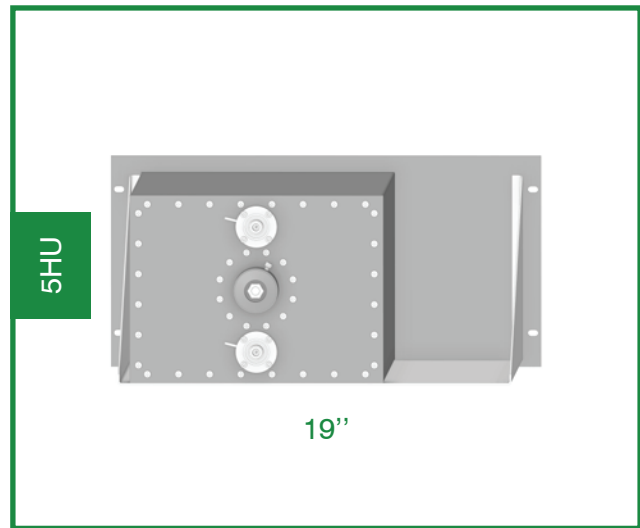


Band Pass Filters VHF

280 rectangular cavity

Single cavity band pass filter - single channel in the VHF range can be allocated in one 5 unit 19" cabinet. Frequency tuning and insertion loss can be regulated through adjustable loops and mechanical knob



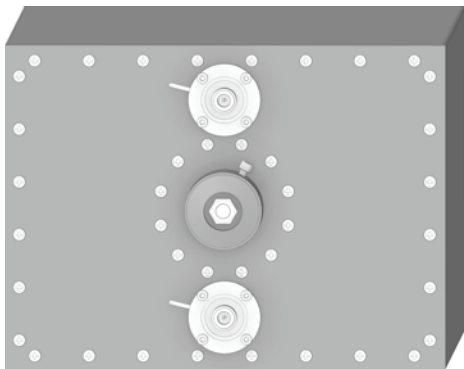
Electrical Specifications

Frequency band:	118 - 156 MHz
Impedance:	50 Ω
Max Power:	200W CW
Insertion loss:	Adjustable, rotating loops

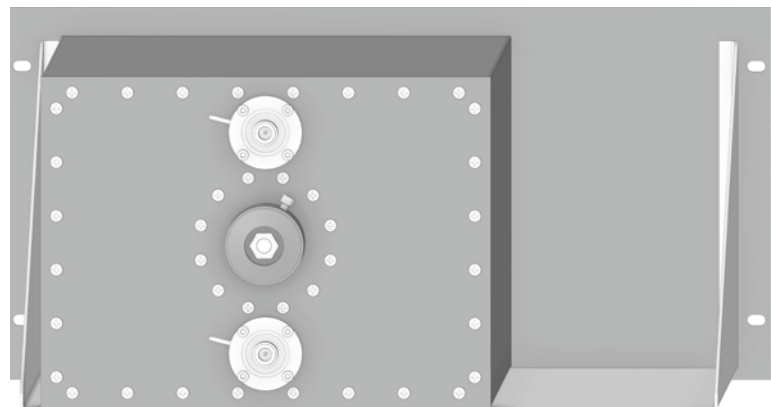
Mechanical Specifications

Connector Type:	N Female
Dimensions:	19" rack, 5HU, depth 700 mm
Operating temp.:	-10°C to +55°C
Tuning method:	Rotary knob, telescopic movement

Band Pass Filters	Channels	Cabinet 5HU	Attenuation
FPB280-V/1 F02VR280M10Sxxxx	1	1	19 dB @ f0 +/- 500 kHz



AST-1003
F05VR280M10Sxxxx



FPB280-V/1