

# Band Pass Filters VHF

## 100 round cavity

Single or double cavity filters are implemented using 100 round cavities in the VHF range. Optimum performance is achieved through a rugged construction.



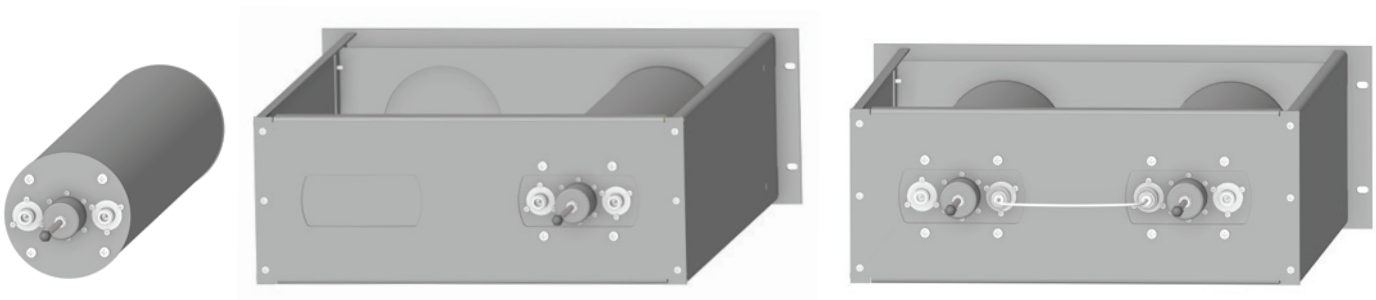
### Electrical Specifications

Frequency band:	118 - 137 MHz
Impedance:	50 Ω
Max Power:	100W CW
Insertion loss:	Adjustable window coupling, rotating loops.

### Mechanical Specifications

Connector Type:	N Female
Dimensions:	19" rack, 4HU, depth 620 mm
Operating temp.:	-10°C to +55°C
Tuning method:	Rotary knob, non telescopic

Band Pass Filters	Attenuation	Thermal Stability (ppm°C)	Input Power (CW)
FPB100-V/1 F02LC100M10Sxxxx	12dB ±0.75%Fo 1dB I.L.	3	100W
FPB100-V/1-1 F02LC100M1CDxxxx	12dB ±0.75%Fo 1dB I.L.	3	100W
FPB100-V/2 F02LC100M20Sxxxx	24dB ±0.75%Fo 2dB I.L.	3	100W



**AST-0108**  
F05LC100M10Sxxxx

**FPB100-V/1**

**FPB100-V/2**