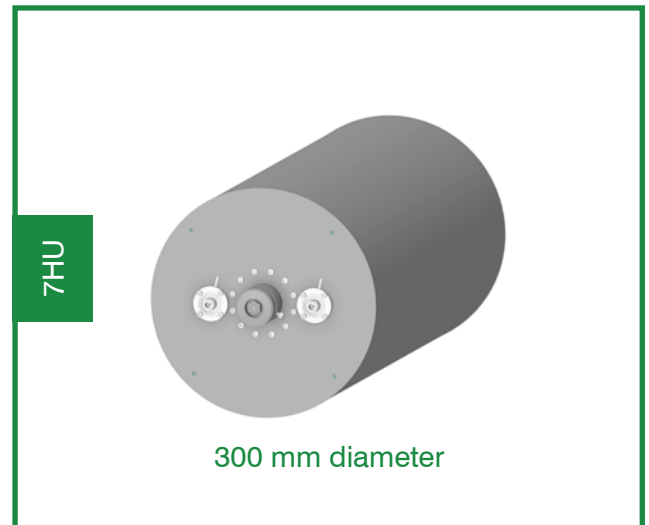


# Band Pass Filters VHF

## 300 round cavity

Single cavity filters are implemented using 300 round cavities in the VHF range. Optimum performance is achieved through a rugged construction.



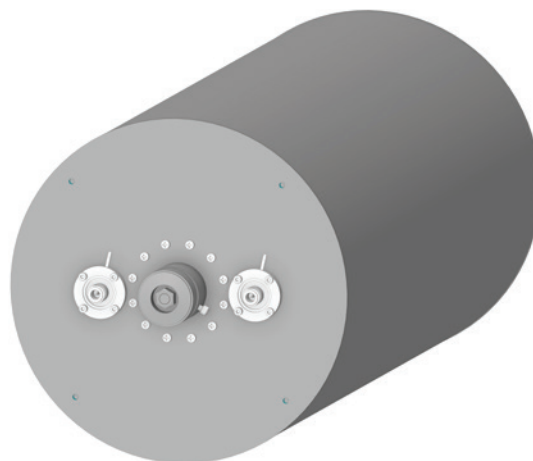
### Electrical Specifications

Frequency band:	118 - 156 MHz
Impedance:	50 $\Omega$
Max Power:	200W CW
Insertion loss:	Adjustable window coupling, rotating loops.

### Mechanical Specifications

Connector Type:	N Female
Dimensions:	19" rack, 7HU, depth 735 mm
Operating temp.:	-10°C to +55°C
Tuning method:	Rotary knob, telescopic movement

Model	Attenuation	Thermal Stability (ppm°C)	Input Power (CW)
AST-1621 F05VC300M10Sxxxx	15dB $\pm$ 200 KHz 1.5dB I.L	3.5	200W



AST-1621