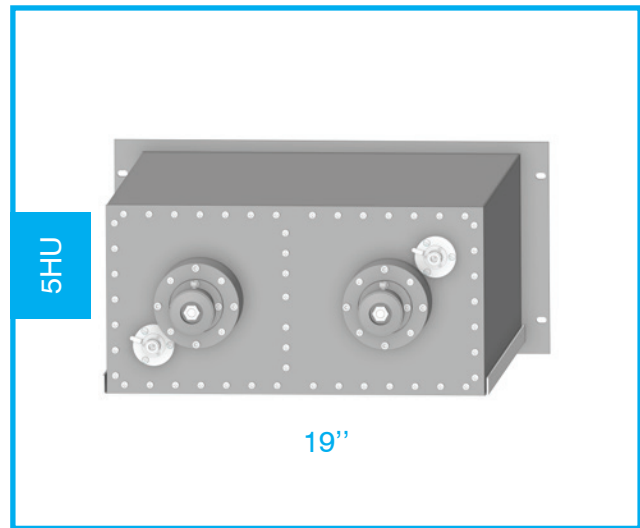


# Band Pass Filters UHF

## 210 double cavity window coupled

Double cavity band pass filters single channel in the UHF range can be allocated in one 5 unit 19" cabinet. Frequency tuning and insertion loss can be regulated through adjustable loops and mechanical knobs.



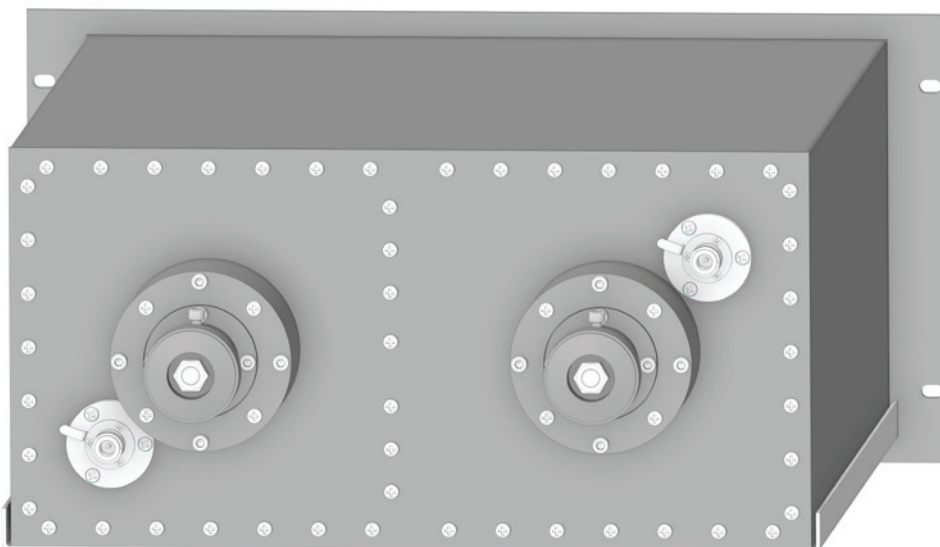
### Electrical Specifications

|                 |                            |
|-----------------|----------------------------|
| Frequency band: | 225 - 400 MHz              |
| Impedance:      | 50 $\Omega$                |
| Max Power:      | 200W CW                    |
| Insertion loss: | Adjustable, rotating loops |

### Mechanical Specifications

|                  |                                  |
|------------------|----------------------------------|
| Connector Type:  | N Female                         |
| Dimensions:      | 19" rack, 5HU, depth 600 mm      |
| Operating temp.: | -10°C to +55°C                   |
| Tuning method:   | Rotary knob, telescopic movement |

| Band Pass Filters              | Channels | Cabinet 5HU | Attenuation                |
|--------------------------------|----------|-------------|----------------------------|
| FPB210-U/2<br>F02US210M1WDxxxx | 1        | 1           | 32dB $\pm$ 0.4% from $f_0$ |



FPB210-U/2