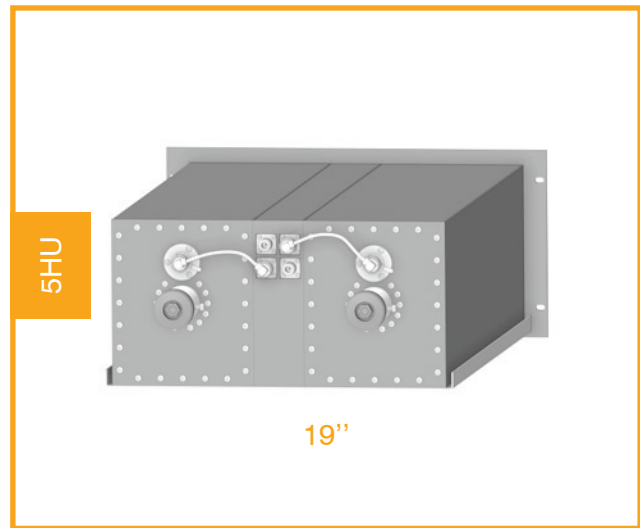


# Notch Filters VHF

## 210 square cavity

The Notch Filter is used when high attenuation is required for narrow spacing between the working and the rejected frequency in the VHF range. Attenuation and Insertion Loss can be adjusted by the rotating loops of the cavity. It is used for frequency spacing of 300 kHz or less. It is installed in a single 5 unit 19" cabinet.



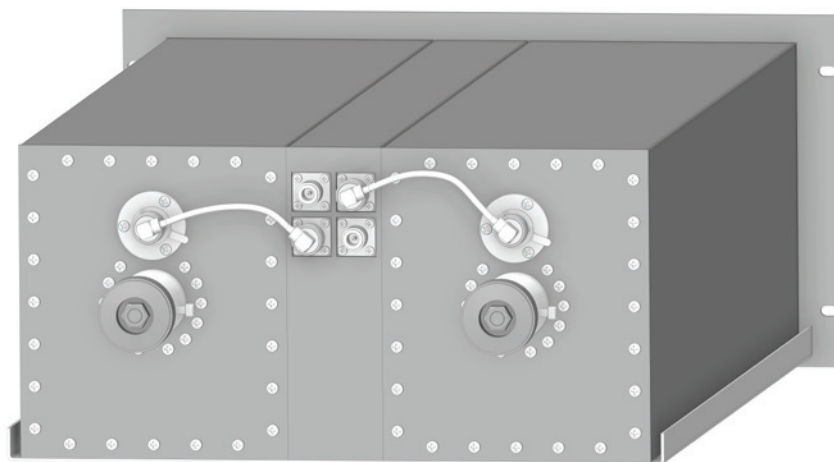
### Electrical Specifications

Frequency band:	118 - 144 MHz
Impedance:	50 $\Omega$
Max Power:	200W CW
Insertion loss:	Adjustable 0.5 ÷ 2.5 dB

### Mechanical Specifications

Connector Type:	N Female
Dimensions:	19" rack, 5HU, depth 684 mm
Operating temp.:	-10°C to +55°C
Tuning method:	Rotary knob, telescopic movement

Notch Filters	Channels	Cabinet 5HU	Frequency Spacing (kHz)	Attenuation dB
MCP210-V/2 TI F04VR210M1HSxxxx	1	1	50	$\geq 25$
			100	$\geq 30$
			200	$\geq 40$
			300	$\geq 40$



MCP210-V/2TI